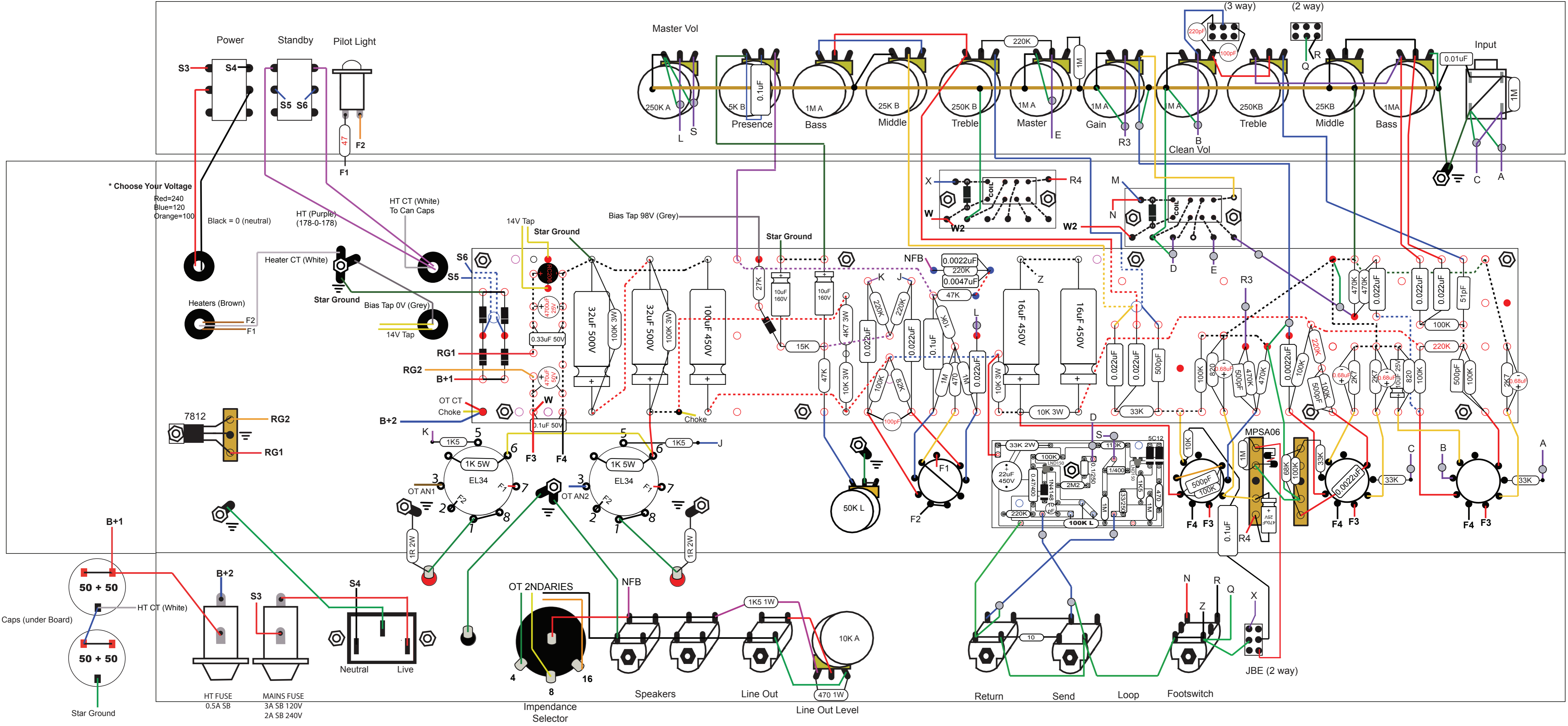


# Revised March 30 2023

# CERIATONE JJ 50



\* Choose Your Voltage  
 Red=240  
 Blue=120  
 Orange=100

Black = 0 (neutral)

HT (Purple)  
 (178-0-178)

HT CT (White)  
 To Can Caps

14V Tap

Bias Tap 98V (Grey)

Star Ground

Star Ground

NFB

W2

R3

100K

100K

B+1

B+2

S3

S4

OT 2NDARIES

NFB

1K5 1W

10K A

Return

Send

Loop

Footswitch

X

HT FUSE  
 0.5A SB

MAINS FUSE  
 3A SB 120V  
 2A SB 240V

Impedance  
 Selector

Speakers

Line Out  
 Level

Return

Send

Loop

Footswitch

JBE (2 way)

Can Caps (under Board)

Star Ground